

EMERGENCY EYEWASH

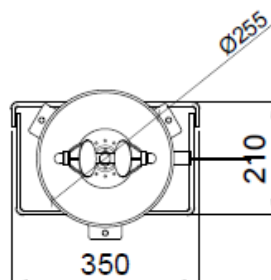
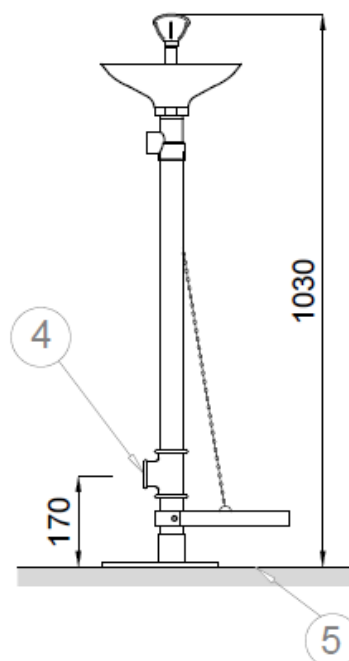
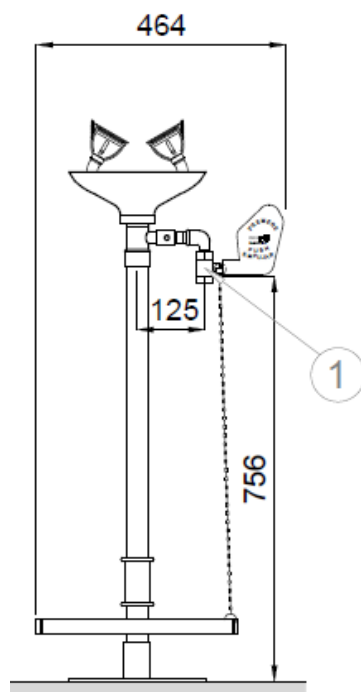


PRODUCT DESCRIPTION

- Floor emergency eyewash.
- High water flow and low water pressure with total way out valve.
- Instant automatic opening activated by lateral lever or foot pedal.
- Double aerated jet with dust cover.
- Green color RAL 6029.
- Suitable for industries, laboratories and generally where there is risk of personal damages from fire, acids, chemical reactants, petroleum products, radioactive materials or other contaminants.
- CE conformity.

TECHNICAL DATA

- Eyewash basin \varnothing 255 mm made of green polypropylene.
- Manufactured in zinc galvanized steel covered with epoxy paint.
- Connecting parts in brass.
- Water pressure, minimum 0,2 MPa – maximum 0,5 MPa.
- Water flow: 14 l/min \pm 10% .
- Water inlet dimension: 1/2" .
- Outlet dimension: 1+1/4" .



- ① INGRESSO 1/2" G, FILETO FEMMINILE / ENTRADA 1/2" G, ROSCA HEMBRA.
1/2" INCH G, INNER THREAD INLET / ENTRÉE 1/2" G, FILETAGE FEMELLE.
- ④ USCITA 1 1/4" G, FILETO FEMMINILE / SALIDA 1 1/4" G, ROSCA HEMBRA.
1 1/4" G, OUTLET THREAD INLET / SORTIE 1 1/4" G, FILETAGE FEMELLE.
- ⑤ PAVIMENTO FINITO / SUELO ACABADO
FINISHED FLOOR / SOL FINI