

PEDESTAL EMERGENCY EYEWASH

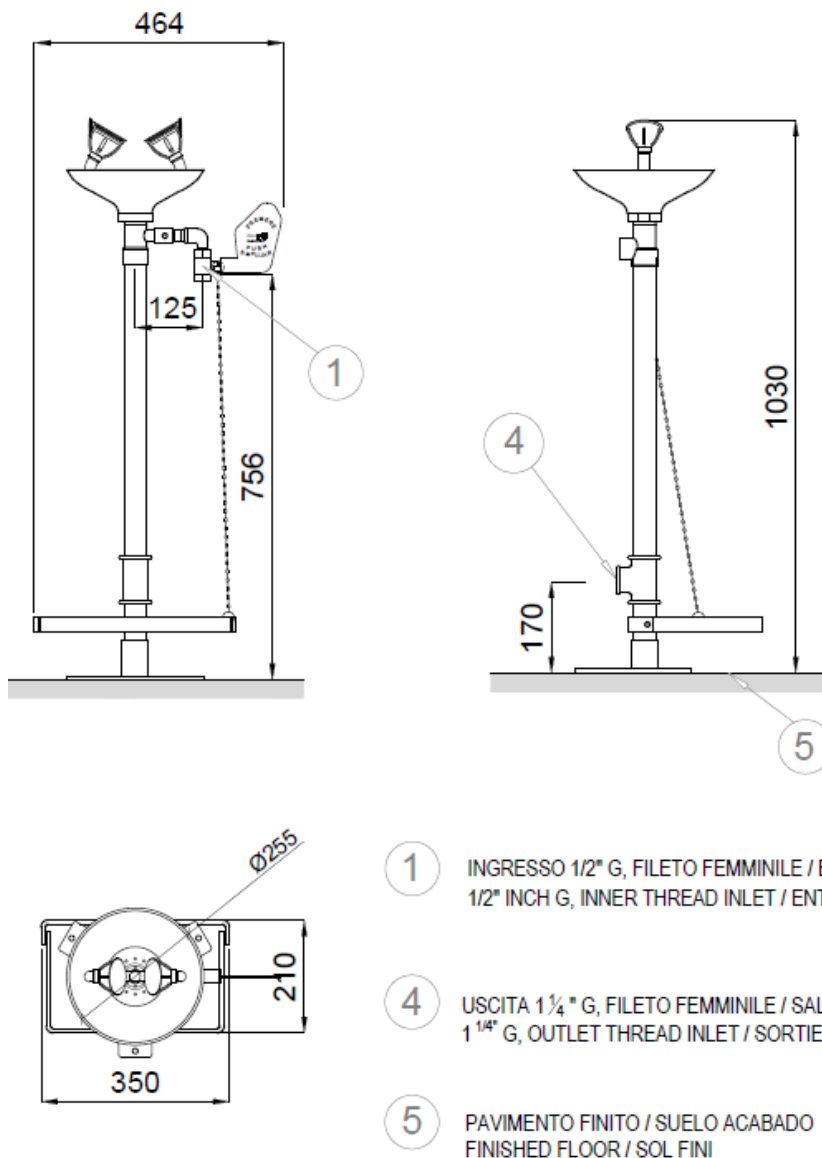


**PRODUCT DESCRIPTION**

- Floor emergency eyewash.
- High water flow and low water pressure with total way out valve.
- Instant automatic opening activated by lateral lever or foot pedal.
- Double aerated jet with dust cover.
- Suitable for industries, laboratories and generally where there is risk of personal damages from fire, acids, chemical reactants, petroleum products, radioactive materials or other contaminants.
- CE conformity.

**TECHNICAL DATA**

- Eyewash basin made of stainless steel.
- Manufactured in stainless steel.
- Connecting parts in stainless steel.
- Water pressure, minimum 0,2 MPa – maximum 0,5 MPa.
- Water flow: 14 l/min ± 10% .
- Water inlet dimension: 1/2" .
- Outlet dimension: 1+1/4" .
- Dimensions: 1030 mm height, basin  $\varnothing$  255 mm.



*This specifications can be modified and/or rectified due to manufacture requirements.*