

MANUAL SHOWER EMERGENCY EYEWASH

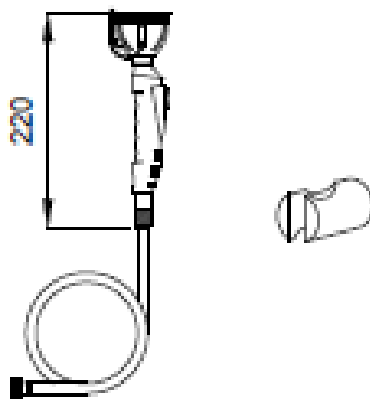


PRODUCT DESCRIPTION

- Manual shower emergency eyewash.
- Emergency eyewash with high flow at low pressure.
- Aerated jet with dust cover.
- Suitable for industries, workshops, laboratories, and in general where there is a risk of damage from fire, acids, reagents, petroleum products, radioactive materials or any other polluting element.
- CE conformity.

TECHNICAL DATA

- Manufactured body made of galvanized Steel.
- Connecting parts made of brass.
- Min. required water flow: 6 liters / minute (2 bar).
- Eyewash flow: 14 liters / minute \pm 10%.
- Water inlet: 1/2" thread.

TECHNICAL DRAWING**1**

INGRESSO 1/2" G, FILETO FEMMINILE
ENTRADA DE 1/2 " G, ROSCA HEMBRA.
1/2" G, INNER THREAD INLET.
ENTRÉE 1/2" G, FILETAGE FEMELLE.