

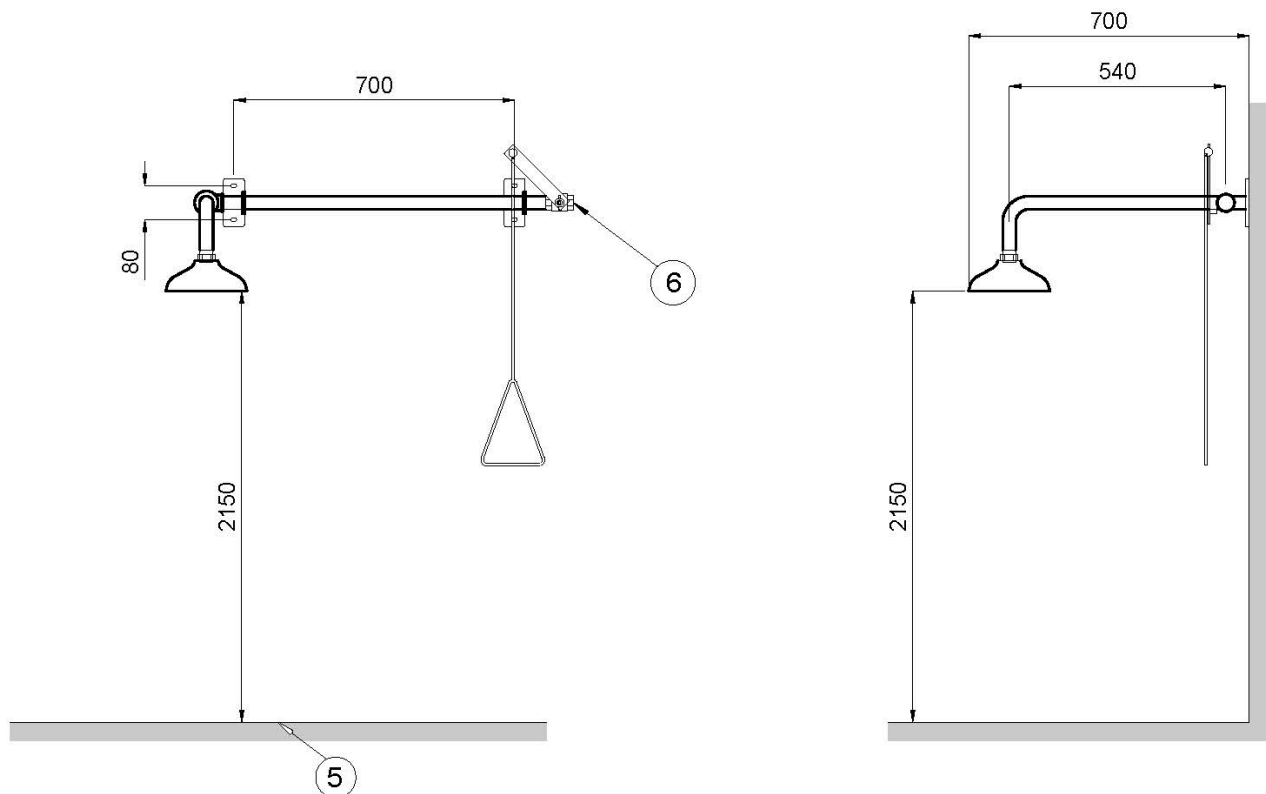
## WALL MOUNTED EMERGENCY SHOWER ABOVE DOOR

**PRODUCT DESCRIPTION**

- Total way out valve shower, manual and instant opening.
- Emergency shower activated through rigid lever with triangle handle.
- Color green RAL 6029.
- Suitable for industries, laboratories and generally where there is risk of personal damages from fire, acids, chemical reactants, petroleum products, radioactive materials or other contaminants.
- CE conformity.

**TECHNICAL DATA**

- Shower head Ø205mm made of green polypropylene.
- Manufactured body made of galvanized zinc steel with epoxy paint.
- Connecting parts made of brass.
- Min. required water flow: 6 liters / minute (2 bar).
- Emergency shower flow: 120 liters / minute (3bar).
- Water inlet: 1+1/4" thread.
- Water outlet: 1+1/4" thread.

**TECHNICAL DRAWING**

**6** INGRESSO 1" G, FILETTO FEMMINILE  
ENTRADA DE 1" G, ROSCA HEMBRA  
1" G, INNER THREAD INLET  
ENTRÉE 1" G, FILETAGE FEMELLE

**5** PAVIMENTO FINITO.  
SUELO ACABADO.  
FINISHED FLOOR  
SOL FINI.